

50033847-001 SuitePRO™ Adaptor Plate

INSTALLATION INSTRUCTIONS

INSTALLATION

Location

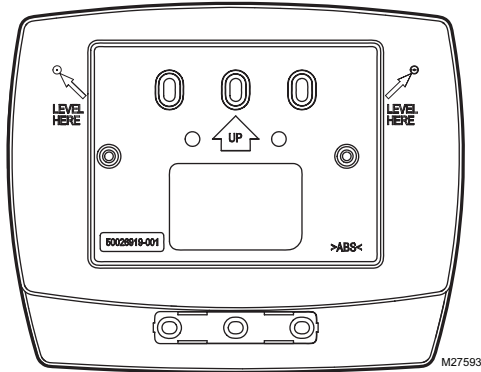
The thermostats are the temperature control element in a fan coil or air-conditioning system. They must be located about 1.5m (5 ft.) above the floor in a position with good air circulation to sense room temperature.

Mounting

The thermostat must be mounted flush to the wall. Mounting screws are supplied.

For the mounting steps, refer to Fig. 1:

1. Feed the supply wires through the junction box and the opening in the adaptor plate.
2. Affix the adaptor plate to the junction box using the screws provided.
3. Refer to the *TB6575/TB8575 SuitePRO™ Digital Fan Coil Thermostats – Installation Guide* (form 62-0278) for installation of the thermostat.
4. Insert the adaptor plate's screw head cover.



PRODUCT DESCRIPTION

The 50033847-001 Adaptor Plate is used to attach a SuitePRO™ thermostat to a 4 x 4 in. junction box or to a 2 x 4 in. junction box in the vertical position. Mounting screws are supplied.

The adaptor plate may be used on all SuitePRO™ thermostat models: TB6575A1000, TB6575B1000, and TB8575A1000.

NOTE: The adaptor plate is not needed when mounting a SuitePRO™ thermostat horizontally on a 2 x 4 in. junction box.

SPECIFICATIONS

Dimensions: Length 6 1/4 in. (158 mm), Width 5 1/16 in. (128 mm), Depth 13/32 in. (10 mm)

Construction: Plastic

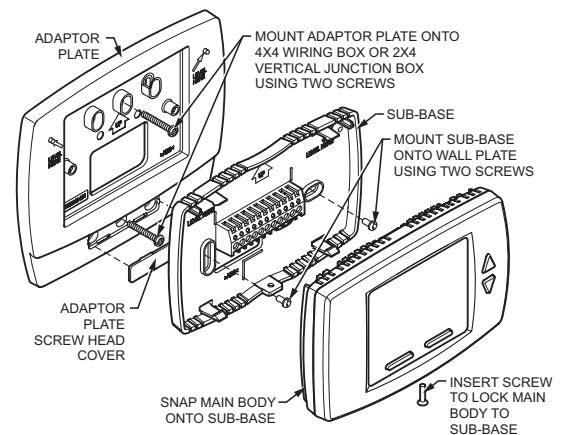


Fig. 1. Mounting the adaptor plate (50033847-001).

SuitePRO™ is a trademark of Honeywell International Inc.

Automation and Control Solutions

Honeywell International Inc.
1985 Douglas Drive North
Golden Valley, MN 55422
customer.honeywell.com

Honeywell Limited-Honeywell Limitée
35 Dynamic Drive
Toronto, Ontario M1V 4Z9

© U.S. Registered Trademark
© 2008 Honeywell International Inc.
62-0286ES—01 M.S. 07-08



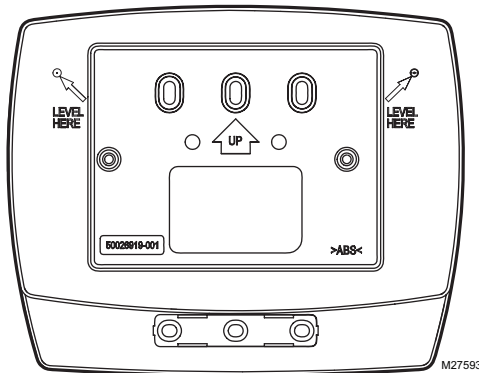
Printed in U.S.A. on recycled paper containing at least 10% post-consumer paper fibers.



62-0286ES-01

Placa Adaptadora 50033847-001 SuitePRO™

INSTRUCCIONES DE INSTALACIÓN



DESCRIPCIÓN DEL PRODUCTO

La Placa adaptadora 50033847-001 se usa para instalar un termostato SuitePRO™ en una caja de conexiones de 10 x 10 cm (4 x 4 pulg.) o de 5 x 10 cm (2 x 4 pulg.) en posición vertical. Se incluyen los tornillos de instalación.

La placa adaptadora se puede usar en todos los modelos de termostato SuitePRO™: TB6575A1000, TB6575B1000 y TB8575A1000.

NOTA: la placa adaptadora no es necesaria cuando se instala un termostato SuitePRO™ horizontalmente en una caja de conexiones de 5 x 10 cm (2 x 4 pulg.).

ESPECIFICACIONES

Dimensiones: Longitud 158 mm (6 1/4 pulg.), Ancho 128 mm (5 1/16 pulg.), Profundidad 10 mm (13/32 pulg.)

Estructura: Plástica

SuitePRO™ es una marca comercial de Honeywell International Inc.

Solutions de régulation et d'automatisation

Honeywell International Inc.
1985 Douglas Drive North
Golden Valley, MN 55422
customer.honeywell.com

Honeywell Limited-Honeywell Limitée
35, Dynamic Drive
Toronto (Ontario) M1V 4Z9

Honeywell Latinoameirca
9315 NW 112 Ave
Miami, FL 33178



INSTALACIÓN

Ubicación

Los termostatos son el elemento de control de la temperatura de un sistema fan coil o de aire acondicionado. Deben ubicarse aproximadamente a 1,5 m (5 pies) sobre el piso, en un lugar con buena circulación de aire para detectar la temperatura ambiente.

Instalación

El termostato debe instalarse a ras en la pared. Se incluyen los tornillos de instalación.

Vea los pasos de instalación en la Fig. 1:

1. Haga pasar los cables de suministro por la caja de conexiones y la abertura de la placa adaptadora.
2. Fije la placa adaptadora a la caja de conexiones con los tornillos proporcionados.
3. Consulte Termostatos fan coil digitales SuitePRO™ TB6575/TB8575 - Guía de instalación (formulario (62-0278) para conocer el modo de instalación del termostato.
4. Inserte la cubierta para cabezales de tornillos de la placa del adaptador.

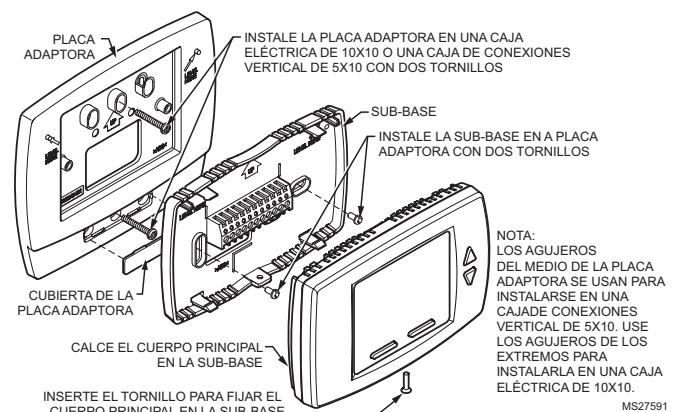


Fig. 1. Instalación de la placa adaptadora (50033847-001).

© Marca Registrada en los E.U.A

© 2008 Honeywell International Inc. todos Los Derechos Reservados
62-0286ES—01 M.S. 07-08

Imprimé aux États-Unis sur du papier recyclé contenant au moins 10 % de fibres post-consommation.



By using this Honeywell literature, you agree that Honeywell will have no liability for any damages arising out of your use or modification to, the literature. You will defend and indemnify Honeywell, its affiliates and subsidiaries, from and against any liability, cost, or damages, including attorneys' fees, arising out of, or resulting from, any modification to the literature by you.

62-0286ES-01